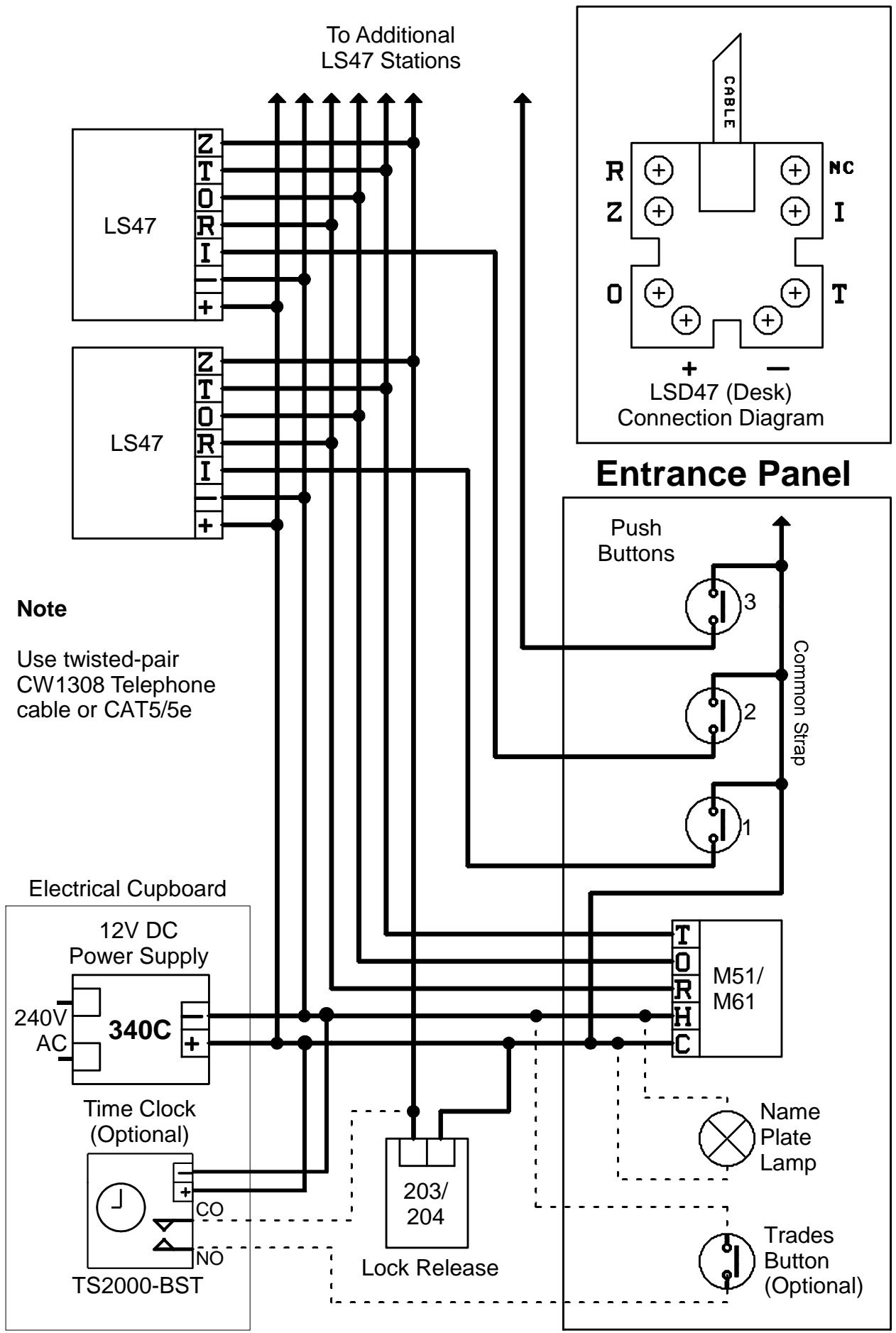


# A Door Entry System Using The LS47 Loudspeaker Apartment Station



**Note**

Use twisted-pair CW1308 Telephone cable or CAT5/5e

# Wiring Diagram For The 900/500 AC Series Door Entry Systems Using The LS47 Loudspeaker Apartment Station

