

BSRT *bellissimo* Extension Sounder

Description

The BSRT extension sounder is designed for use with the *bellissimo* Video Door Entry system, to extend the call tone to other areas of the premises for improved audibility. The BSRT is housed in an unobtrusive white ABS enclosure for wall mounting in a convenient indoor location. It has a control for volume adjustment during installation.

Requirements

All wiring should be carried out using Cat5 cable and where necessary a 1mm² (or greater) power cable (see Tables).

The BSRT can be powered directly from the existing system (Option1) or from an extra local power supply where there is insufficient power capacity available (Option 2). Use Option 2 if there is any doubt or consult the manufacturer for further advice.

Installation & Setup

After installation press the test button of the BSRT to make it ring and then adjust the volume pot to give a suitable ring volume for the location. The unit will sound with the identical cadence to the videophone (continuous or intermittent) depending on the dipswitch settings of the system controller (refer to the *bellissimo* installation manual).

In order to operate correctly a videophone must be present and set as a Master. When the unit is called the status LED will illuminate at the same time as the tone is sounding.

Quick Troubleshooting guide	
Unit does not operate from Test Button	Ensure that there is power at the connector. Check Volume control
Unit operates from Test button, but not when called	Ensure videophone is set to Master and operates fully Check connections
Unit starts to operate and then stops before the phone	Power-supply insufficient or excessive voltage drop Ensure at least 10V at all times while operating.

**bell
system**
(Telephones) Ltd
Made in the UK

Telephone technical:
0845 121 4008
E-mail:
technical@bellsystem.co.uk
Website:
www.bellsystem.co.uk



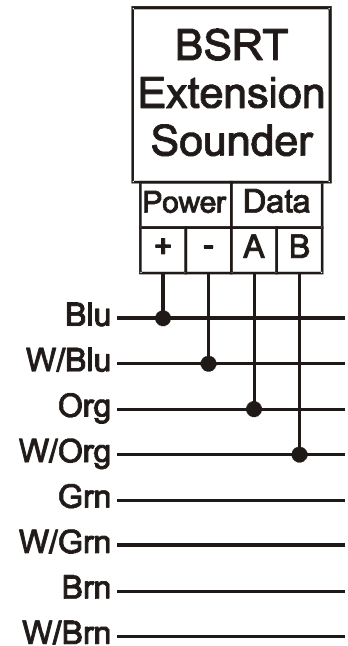
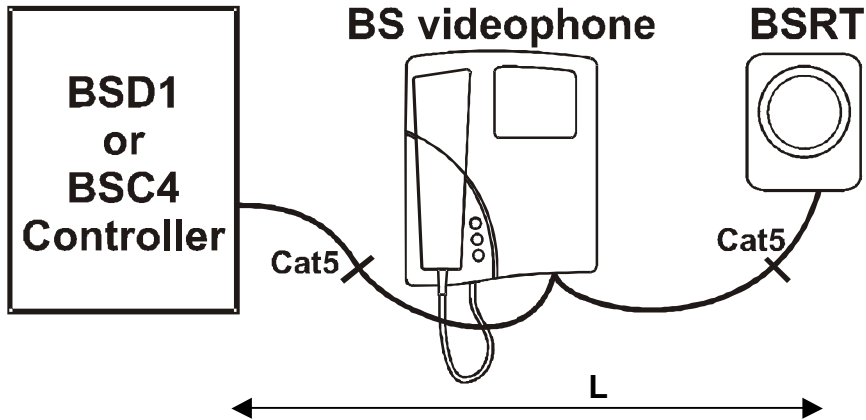
BS EN ISO 9001:2000
Certificate number GB2000389



: This product complies with EMC directive 89/336/EEC : Generic BSEN 50081/2

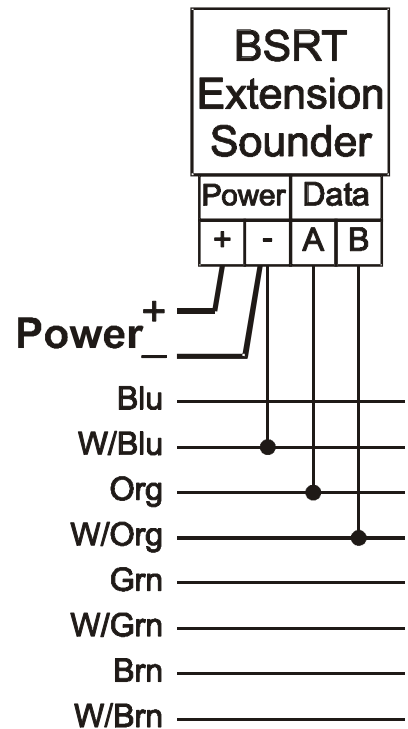
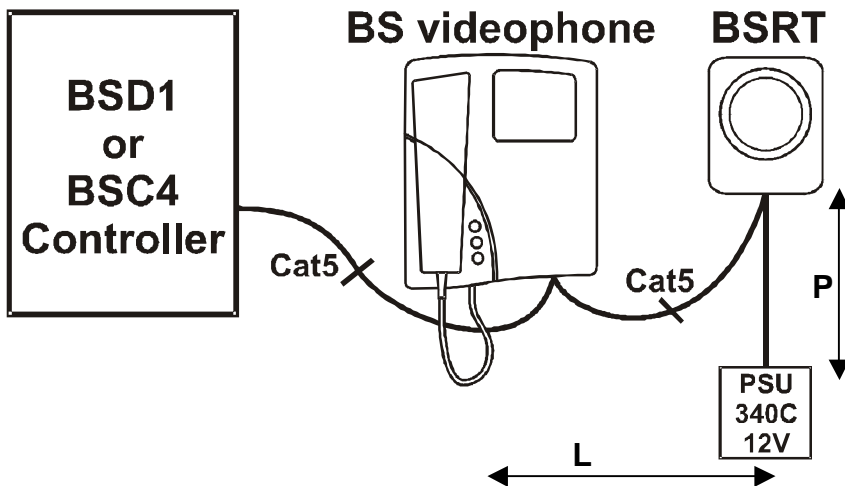
BSRT *bellissimo* Extension Sounder

Option 1: Powered from videophone



System	Distance L	Cable
1 BS videophone + 1 or 2 BSRT daisy chained	< 50m	Single Cat5
	< 200m	Cat5 + 2 x 1mm ²
2 BS videophone + 1 BSRT daisy chained	< 50m	Single Cat5
	< 200m	Cat5 + 2 x 1mm ²

Option 2: Locally powered from separate PSU



System	Distance L	Extension from videophone
Extension	<200m	Cat5 – video not connected
System	Distance P	PSU to BSRT Cable
1 or 2 x BSRT	< 50m	4 pairs of Cat5 or 2 x 1mm ²