

# Bellagio cabling supplement

## Typical Large Gate and Block Video System with Bellagio digital video call panels

### Notes

\* Core size/number depends on the Maglock/Lock release fitted and if break glass monitor is required.

\*\* Requires a 230V Mains connection.

All control equipment must be in secure indoor locations or enclosures.  
The minimum amount of cabling is shown, please allow for spares.

#### Cable types:

CAT5 - Catagory 5 or 5e unshielded cable containing 8 cores.  
Cables are CAT5 unshielded unless otherwise stated.

1.0mm<sup>2</sup> - 1.0mm<sup>2</sup> Cross sectional area mains cable, Flex or Twin and Earth.

Maximum of 300m cable distance between the furthest 2 points.

**DO NOT USE ALARM CABLE**

#### Manuals referred to:

bellagio Manual BG Digital (PD-280 Issue 1+)

tabellet Installation Manual (PD-302 iss 3+) - only for systems using the TB-B or TB-W Tabellet

bellissimo & Bellcall Manual BSSW Gate and block (PD-120 Issue 2+)

#### Control units referred to:

BFD-DIG Digital door controller (1 per entrance)


BSC4 Video controller/distributor for 4 flats

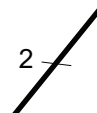
BSC4-I Video controller/distributor for 4 flats with fully isolated flat output

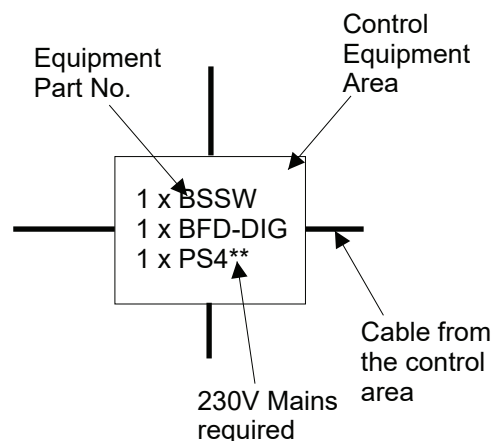
BSSW Gate/block isolator

PS4 Power Supply

TS2000-BST Time Clock (for a Trades facility)

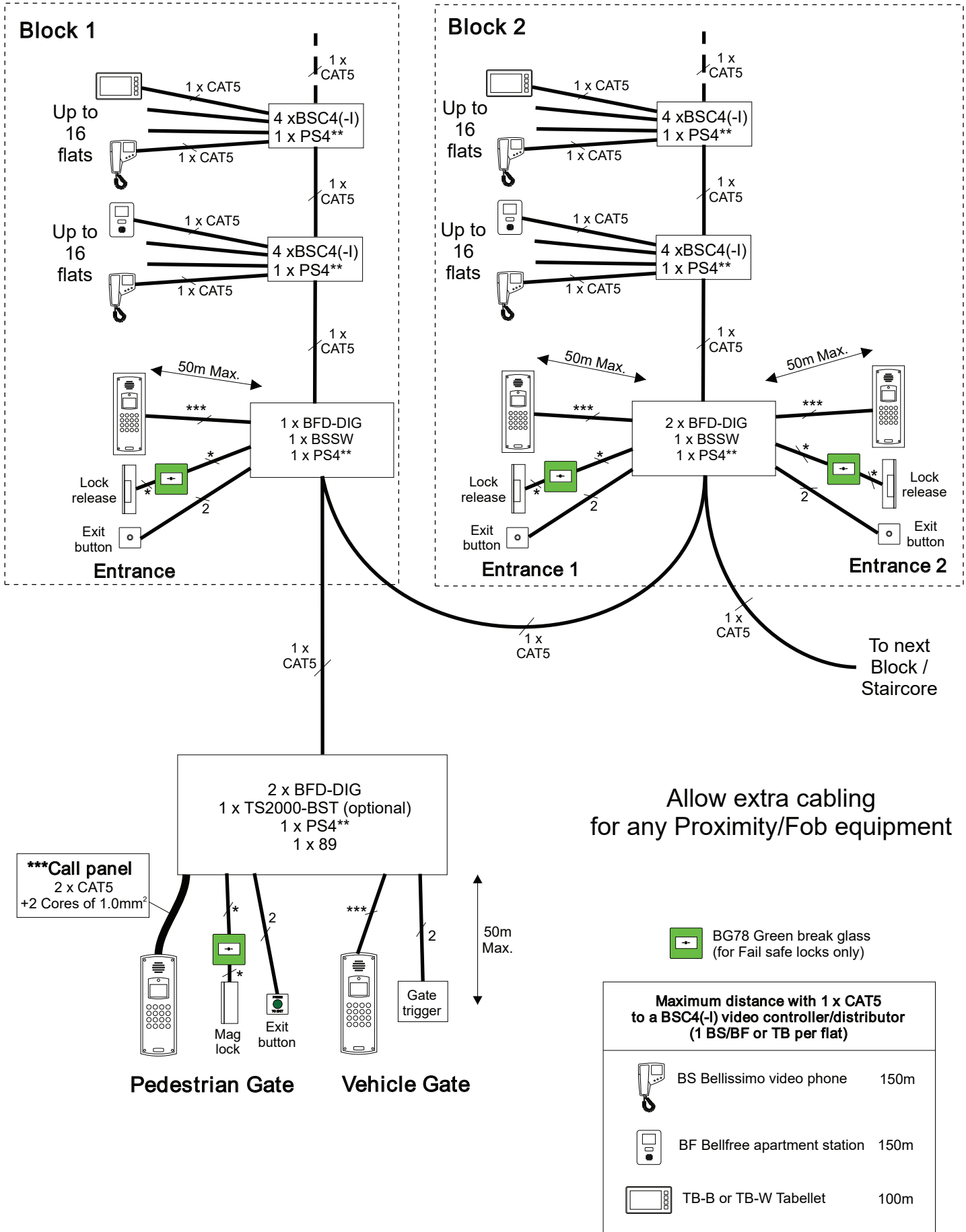
2 x  = 2 cable of CAT5 unshielded,  
8 cores in each cable, total of 16 cores

2  = 2 cores of CAT5 unshielded

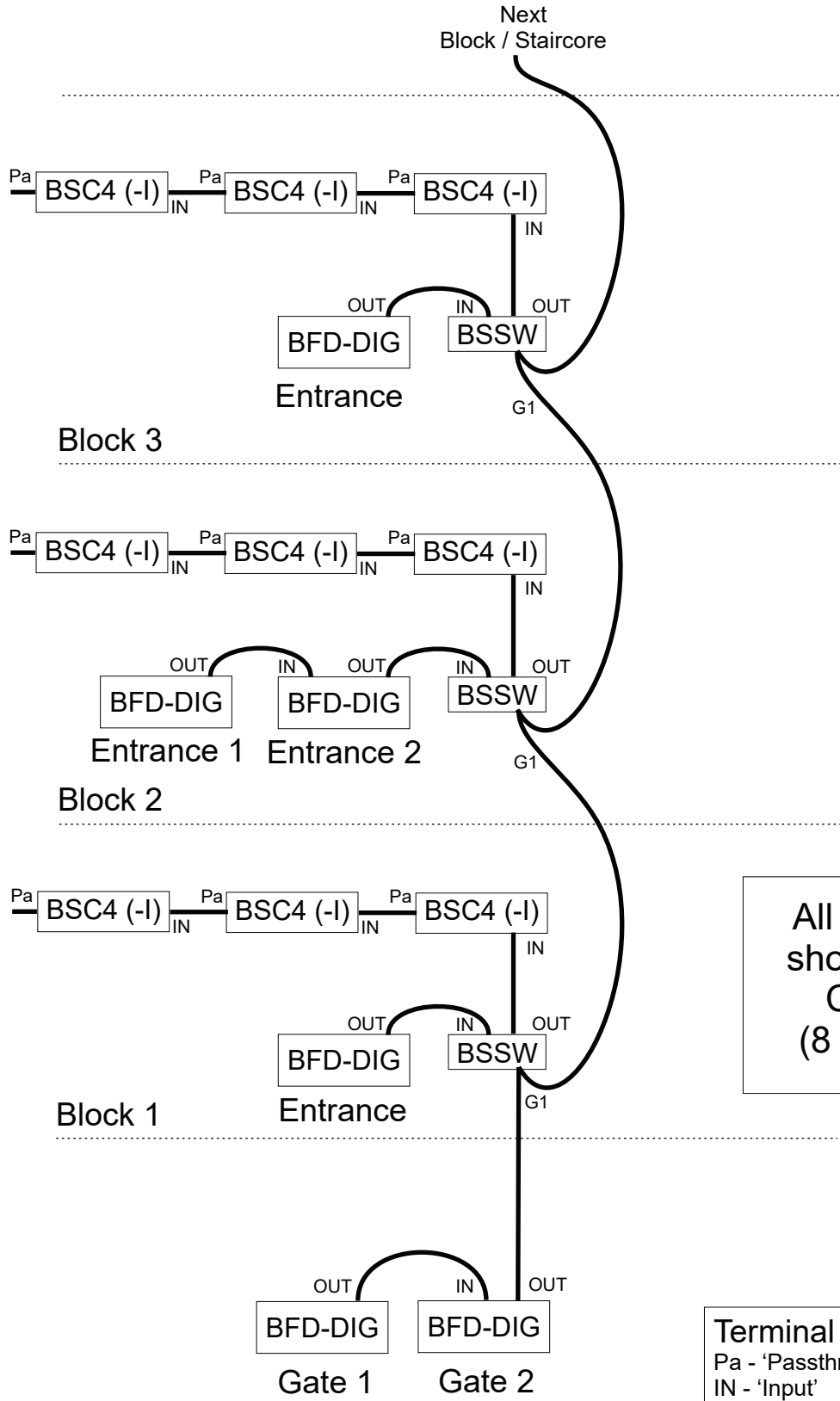


# Video entrances and flats

## Part 1



**Video control equipment interconnection**



**Terminal Block Key**  
Pa - 'Passthru'  
IN - 'Input'  
OUT - 'Output'  
G1 - 'Gate 1'

Power supplies  
not shown